

NOTES:

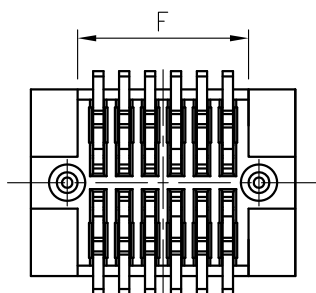
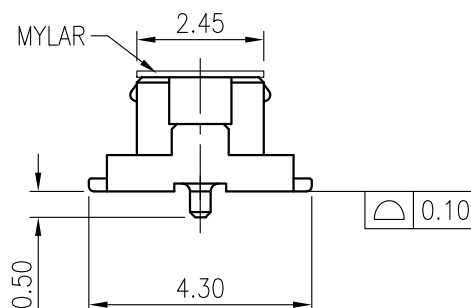
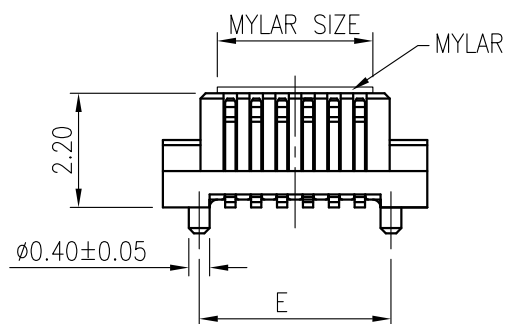
1. MATERIAL:
  - 1.1 HOUSING: THERMOPLASTIC, HIGH TEMP., UL94V-0; COLOR IS NATURAL.
  - 1.2 CONTACT: COPPER ALLOY
2. FINISH:
  - 2.1 CONTACT: 50u" MIN. NICKEL UNDERPLATING OVERALL. 1:GOLD FLASH OVER ALL
3. IR REFLOW CAPABLE TO 260°C PER ACES SPEC.
4. SPEC. PLS. REFER TO PS-50181-xxxx
5. PACKAGE PLS. REFER TO 51006-XXXXB-TRP
6. PART NUMBER

51006-XXX X X-XXX

XXX	Housing Color	Halogen Free	Polarization
001	NATURAL	<b>HF</b>	with boss

No Of CKT ——— PLATING 1: GOLD FLASH OVER ALL

- PACKING
- 4: TAPE & REEL WITH MYLAR
  - 5: TUBE PACKAGE WITH MYLAR



CKT	DIM A	DIM B	DIM C	DIM D	DIM E	DIM F	MYLAR SIZE
010	4.6	3.15	2.70	2.00	3.20	2.8	3.00
012	5.1	3.65	3.20	2.50	3.70	3.3	3.00
014	5.6	4.15	3.70	3.00	4.20	3.8	3.00
020	7.1	5.65	5.20	4.50	5.70	5.3	5.00
030	9.6	8.15	7.70	7.00	8.20	7.8	5.00
032	10.1	8.65	8.20	7.50	8.70	8.3	5.00
036	11.1	9.65	9.20	8.50	9.70	9.3	5.00
040	12.1	10.65	10.20	9.50	10.70	10.3	5.00
050	14.6	13.15	12.70	12.00	13.20	12.8	10.00
060	17.1	15.65	15.20	14.50	15.70	15.3	10.00
080	22.1	20.65	20.20	19.50	20.70	20.3	10.00

一般公差 <b>TOLERANCES</b> X ±0.5    .XX ±0.15 X ±0.25    .XXX ±0.1 ANGLES    ±2°		<b>宏致電子股份有限公司</b> Aces Electronic Co.,Ltd.	
檢驗尺寸標示 SYMBOLS (M) (D) INDICATE CLASSIFICATION DIMENSION (M) MARK IS CRITICAL DIM. (D) MARK IS MAJOR DIM.	品名 (TITLE) 0.5mm B-T-B CONNECTOR RCPT D/R S/T SMT TYPE	製圖 (DR) 11/02/01    yangwu 審核 (CHKD) CARL	5
	圖號 (DWG.NO) 51006-XXXXX-XXX	核准 (APPD) JASON	
表面處理 (FINISH)	比例 (SCALE) 5:1    單位 (UNITS) mm	張數 (SHEET) 1 OF 1    尺寸 (SIZE) A4    版次 (REV) 0	